



Stand & Accessories Catalog

Version 2.0



apexelectronics.com





INDEX

Microphone Stands

Desk Stands	3
Cast Base Microphone Stands	3
Tripod Base Microphone Stands Without Booms	3
Tripod Base Microphone Stands With Booms	4

Microphone Stand Accessories

Booms - Non Telescopic	5
Booms - Telescopic	5
Booms - Other	5
Microphone Stand Accessories	5
Microphone Clips	6
Shock Mounts	6
Windscreens & Pop Filters	6
Goosenecks & Clamps	6
Drum Microphone Clips	6

Speaker / Lighting Stands & Accessories

Speaker / Lighting Stands	7
Speaker / Lighting Hardware & Accessories	8
Flying Hardware	9
Speaker Wall Mount Brackets	10

Studio Racks & Accessories

Studio Racks	10
--------------	----

Keyboard / Mixer Stands & Accessories

Keyboard / Mixer Stands & Accessories	11
Piano Benches	11

Instrument / Music Stands

Guitar Stands	12
Band Instrument Stands	13
Instrument Amp Stands	13
Music Stands	14

Store Merchandisers

Guitar Hangers	15
Cable / Other Hangers	15
Microphone Displays	15

Stand & Accessories Catalog 2005



Desk Stands

MS-105 Round Based Desk Stand Telescopic



Max. Height (inches / cm)	13 / 33.0
Min. Height (inches / cm)	9 / 22.9
Base Span (inches / cm)	6 / 15.2
Weight (lbs / kg)	2.5 / 1.1
Master Carton (pieces)	12
Colour	Chrome (MS-105)
Alternate Colour	Black (MS-105B)

MS-106 Mini Round Based Desk Stand Non Telescopic



Max. Height (inches / cm)	4 / 10.2
Min. Height (inches / cm)	4 / 10.2
Base Span (inches / cm)	4 / 10.2
Weight (lbs / kg)	1 / 0.5
Master Carton (pieces)	50
Colour	Chrome (MS-106)
Alternate Colour	-

MS-108 Heavy Duty Tilting Telescopic Desk Stand



Max. Height (inches / cm)	25 / 63.5
Min. Height (inches / cm)	16 / 40.6
Base Span (inches / cm)	7.5 / 19.0
Weight (lbs / kg)	5 / 2.3
Master Carton (pieces)	6
Colour	Chrome (MS-108)
Alternate Colour	-

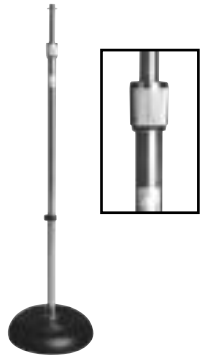
IDS-007 Cast Tripod Bass Desk Stand



Max. Height (inches / cm)	23 / 58.4
Min. Height (inches / cm)	13 / 33.0
Base Span (inches / cm)	11 / 27.9
Weight (lbs / kg)	7 / 3.2
Master Carton (pieces)	6
Colour	Chrome (IDS-007)
Alternate Colour	-

Cast Base Microphone Stands

MS-603 Economy Round Based Microphone Stand



Max. Height (inches / cm)	60 / 152.4
Min. Height (inches / cm)	33 / 83.8
Base Span (inches / cm)	9.5 / 24.1
Weight (lbs / kg)	9 / 4.1
Master Carton (pieces)	6
Colour	Chrome (MS-603)
Alternate Colour	Black (MS-603B)

MS-703B Quick Clutch Round Based Microphone Stand



Max. Height (inches / cm)	61 / 154.9
Min. Height (inches / cm)	33 / 83.8
Base Span (inches / cm)	9.5 / 24.1
Weight (lbs / kg)	9 / 4.1
Master Carton (pieces)	6
Colour	Black (MS-703B)
Alternate Colour	-

Tripod Base Microphone Stands

MS-605 Economy Tripod Microphone Stand



Max. Height (inches / cm)	64 / 162.6
Min. Height (inches / cm)	36 / 91.4
Base Span (inches / cm)	26 / 66.0
Weight (lbs / kg)	4 / 2.0
Master Carton (pieces)	12
Colour	Chrome (MS-605)
Alternate Colour	Black (MS-605B)

MS-2203 Heavy Duty Tripod Microphone Stand



Max. Height (inches / cm)	64 / 162.6
Min. Height (inches / cm)	41 / 104.1
Base Span (inches / cm)	28 / 71.1
Weight (lbs / kg)	5 / 2.2
Master Carton (pieces)	6
Colour	Chrome (MS-2203)
Alternate Colour	-



Tripod Base Microphone Stands With Booms

MS-205 Economy Tripod With Non Telescopic Boom



Max. Height (inches / cm)	64 / 162.6
Min. Height (inches / cm)	36 / 91.4
Base Span (inches / cm)	26 / 66
Weight (lbs / kg)	5 / 2.2
Master Carton (pieces)	6
Colour	Chrome (MS-205)
Alternate Colour	Black (MS-205B)

MS-2305 Heavy Duty Tripod With Non Telescopic Boom



Max. Height (inches / cm)	65 / 165
Min. Height (inches / cm)	38 / 96.5
Base Span (inches / cm)	28 / 71.1
Weight (lbs / kg)	6 / 15.2
Master Carton (pieces)	6
Colour	Chrome (MS-2305)
Alternate Colour	Black (MS-2305B)

MS-656B Deluxe Tripod With Non Telescopic Boom



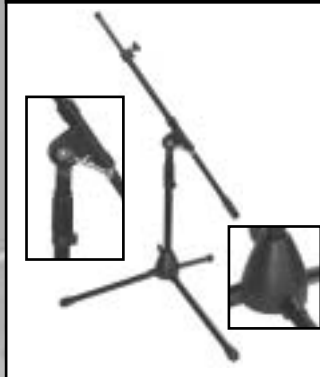
Max. Height (inches / cm)	67 / 170.2
Min. Height (inches / cm)	41 / 101.1
Base Span (inches / cm)	27 / 68.6
Weight (lbs / kg)	6.5 / 2.9
Master Carton (pieces)	6
Colour	Black (MS-656B)
Alternate Colour	-

MS-305 Deluxe Heavy Duty Tripod With Telescopic Boom



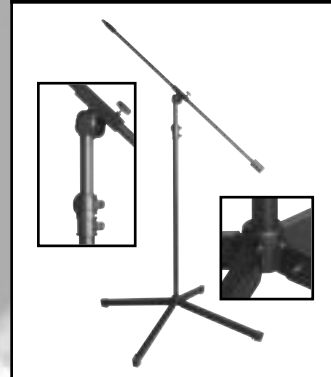
Max. Height (inches / cm)	63 / 102
Min. Height (inches / cm)	4 / 160.0
Base Span (inches / cm)	28 / 71.1
Weight (lbs / kg)	6 / 2.7
Master Carton (pieces)	6
Colour	Chrome (MS-305)
Alternate Colour	Black (MS-305B)

MS-607B Mini Tripod With Telescopic Boom



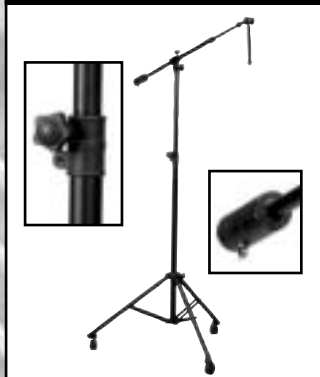
Max. Height (inches / cm)	31 / 78.7
Min. Height (inches / cm)	21 / 53.5
Base Span (inches / cm)	27 / 68.6
Weight (lbs / kg)	4 / 2.0
Master Carton (pieces)	6
Colour	Black (MS-607B)
Alternate Colour	-

MS-700B Large Heavy Duty Tripod With Telescopic Boom



Max. Height (inches / cm)	81 / 205.7
Min. Height (inches / cm)	51 / 129.5
Base Span (inches / cm)	37 / 94.0
Weight (lbs / kg)	14 / 6.4
Master Carton (pieces)	3
Colour	Black (MS-700B)
Alternate Colour	-

MS-800B Wheeled With Weight & Telescopic Boom



Max. Height (inches / cm)	84 / 213.4
Min. Height (inches / cm)	51.5 / 130.8
Base Span (inches / cm)	42 / 106.7
Weight (lbs / kg)	17.5 / 7.9
Master Carton (pieces)	2
Colour	Black (MS-800B)
Alternate Colour	-

Booms - Telescopic

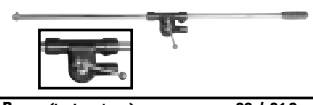
MSB-226	All Metal Telescopic Boom
	
Boom (inches / cm)	18-29 / 45.7-73.7
Weight (lbs / kg)	1.5 / 0.7
Master Carton (pieces)	20
Colour	Chrome (MSB-226)
Alternate Colour	Black (MSB-226B)

MSB-246	All Metal Telescopic Boom
	
Boom (inches / cm)	25-35 / 63.5-88.9
Weight (lbs / kg)	1.5 / 0.7
Master Carton (pieces)	12
Colour	Chrome (MSB-246)
Alternate Colour	Black (MSB-246B)

Booms - Other


MSB-18	Mini Boom
	
Boom (inches / cm)	18 / 45.7
Weight (lbs / kg)	1 / 0.5
Master Carton (pieces)	6
Colour	Chrome (MSB-18)
Alternate Colour	-

Booms - Non Telescopic

MSB-56	All Metal Non Telescopic Boom
	
Boom (inches / cm)	32 / 81.3
Weight (lbs / kg)	1 / 0.5
Master Carton (pieces)	12
Colour	Chrome (MSB-56)
Alternate Colour	Black (MSB-56B)

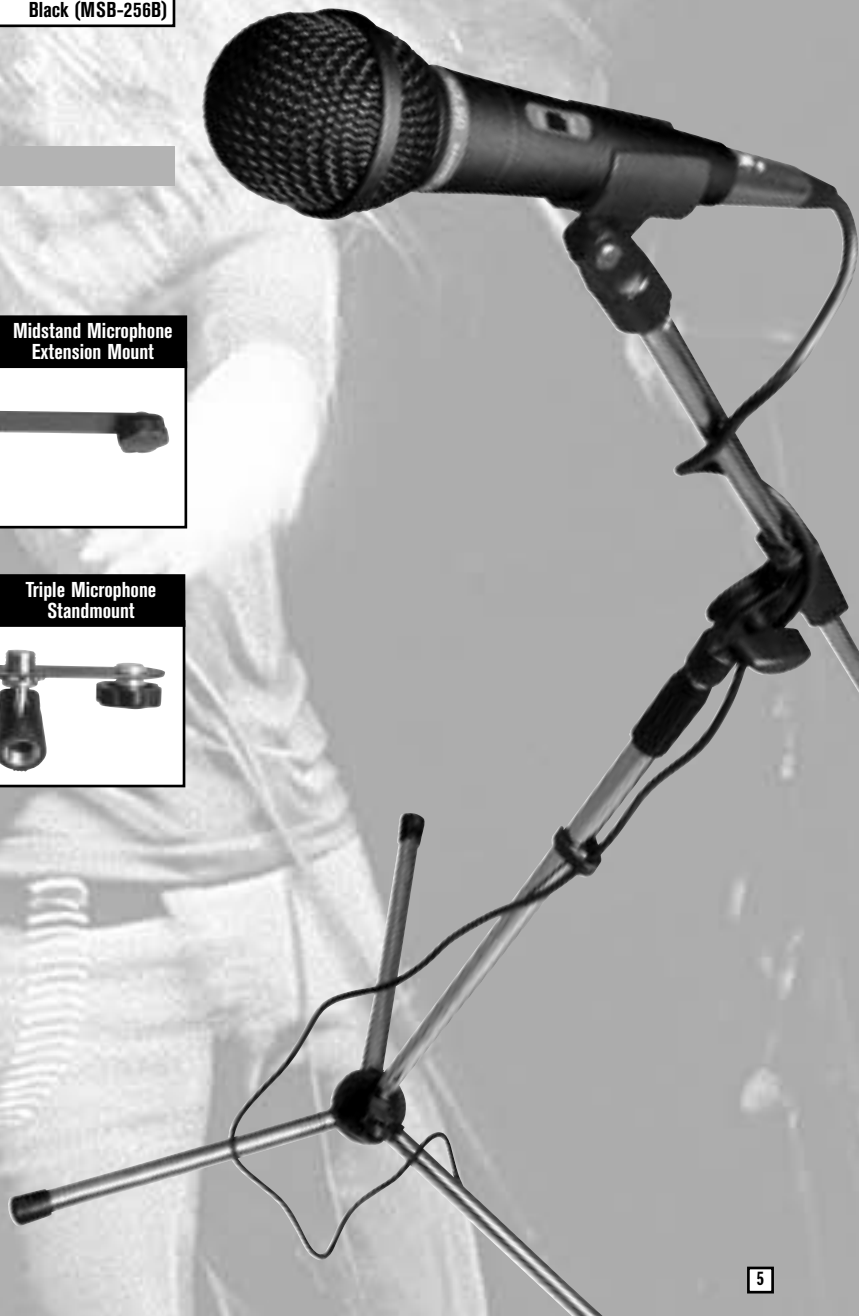
MSB-256	All Metal Non Telescopic Boom
	
Boom (inches / cm)	32 / 81.3
Weight (lbs / kg)	1.5 / 0.7
Master Carton (pieces)	12
Colour	Chrome (MSB-256)
Alternate Colour	Black (MSB-256B)

Accessories

MS-TRAY	Mic Stand Accessory Tray
	
Colour	Black
Master Carton (pieces)	15

MA-158	Midstand Microphone Extension Mount
	

MA-358	Triple Microphone Standmount
	



Mic Clips

IMC-1



Standard 28mm
Mic Clip

IMC-2



Spring Adjustable
Mic Clip

IMC-4



Rubberized Medium
Barrel Mic Clip

IMC-5



Rubberized Standard
Barrel Mic Clip

IMC-7



Anti-Vibration Standard
Barrel Mic Clip

IMC-21B



Standard 28mm
Mic Clip - Bulk

IMC-22B



Spring Adjustable
Mic Clip - Bulk

IMC-24B



Small Barrel
Mic Clip - Bulk

Shock Mounts

IMC-3



Cradle shock Mount
For Apex420 / 430 / 435

IMC-6



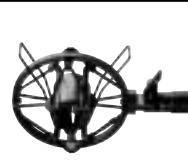
Cradle shock Mount
For Apex450

IMC-8



Cradle shock Mount
For Apex410

IMC-9



Cradle shock Mount
For Apex180

Pop Filters

MWS-55



5" Deluxe Metal Studio
Pop Filter With Clamp

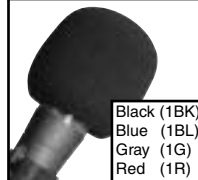
MWS-56DLX



6" Deluxe Studio Pop
Filter With Clamp

Windsocks

IWS-1



Black (1BK)
Blue (1BL)
Gray (1G)
Red (1R)

Foam Windssock

Clamps

IMSC



Microphone Stand Clamp

Goosenecks

GN-13 / GN-13B



GN-13 (13" Gooseneck)
GN-13B (13" Gooseneck Black)

GB-158



Gooseneck Base

Drum Clips

APEX-DC



Rubberized Drum Rim
Microphone Clamp

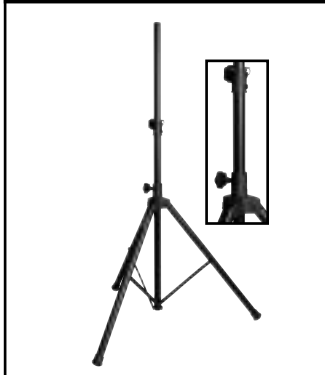
D-CLIP



Metal Drum Rim
Microphone Clip

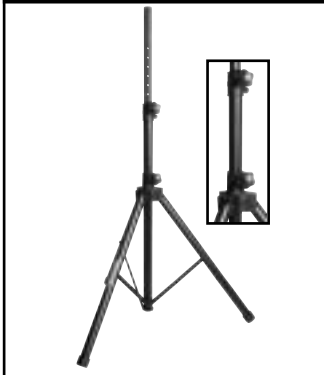
Speaker / Lighting Stands

SKS-210B Adjustable Aluminum Speaker Stand



Max. Height (inches / cm)	76 / 152.4
Min. Height (inches / cm)	43 / 109.2
Collapsed Height (inches / cm)	41 / 104.1
Weight (lbs / kg)	8 / 3.6
Material (stand / collar)	Aluminium / Nylon
Load Capacity (lbs / kg)	100 / 45.4
Master Carton (pieces)	6
Colour	Black (SKS-210B)

SKS-09B Adjustable Steel Speaker Stand



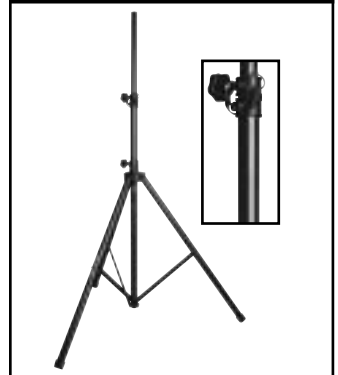
Max. Height (inches / cm)	77 / 195.6
Min. Height (inches / cm)	44 / 111.8
Collapsed Height (inches / cm)	42 / 106.7
Weight (lbs / kg)	9 / 4.1
Material (stand / collar)	Steel / Nylon
Load Capacity (lbs / kg)	100 / 45.4
Master Carton (pieces)	6
Colour	Black (SKS-09B)

SKS-11B Adjustable Aluminum Speaker Stand



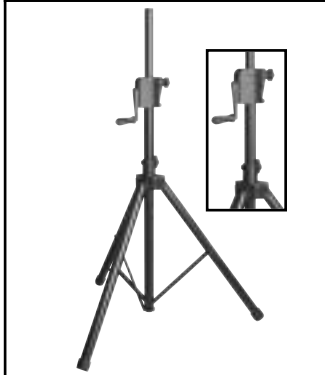
Max. Height (inches / cm)	77 / 195.6
Min. Height (inches / cm)	44 / 114.3
Collapsed Height (inches / cm)	42 / 106.7
Weight (lbs / kg)	7 / 3.2
Material (stand / collar)	Aluminium / Steel
Load Capacity (lbs / kg)	100 / 45.4
Master Carton (pieces)	6
Colour	Black (SKS-11B)

SKS-21B Extra Large Adjustable Aluminum Speaker Stand



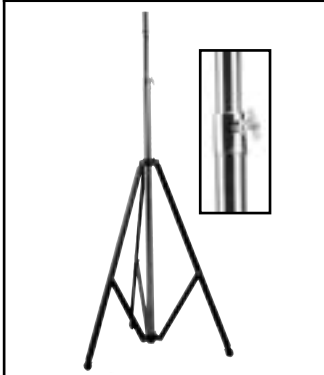
Max. Height (inches / cm)	100 / 254.0
Min. Height (inches / cm)	55 / 139.7
Collapsed Height (inches / cm)	52 / 132.1
Weight (lbs / kg)	9 / 133.1
Material (stand / collar)	Aluminium / Nylon
Load Capacity (lbs / kg)	100 / 45.4
Master Carton (pieces)	1
Colour	Black (SKS-21B)

SKS-31B Crank-Up Adjustable Aluminum Speaker Stand



Max. Height (inches / cm)	72 / 152.4
Min. Height (inches / cm)	43 / 109.2
Collapsed Height (inches / cm)	44 / 111.8
Weight (lbs / kg)	8 / 3.6
Material (stand / collar)	Aluminium / Nylon
Load Capacity (lbs / kg)	100 / 45.4
Master Carton (pieces)	6
Colour	Black (SKS-31B)

SKS-50T Heavy Duty All Metal Adjustable Speaker Stand



Max. Height (inches / cm)	93 / 236.2
Min. Height (inches / cm)	52 / 132.1
Collapsed Height (inches / cm)	52 / 132.1
Weight (lbs / kg)	20 / 9.1
Material (stand / collar)	Steel / Steel
Load Capacity (lbs / kg)	150 / 68.0
Master Carton (pieces)	2
Colour	Chrome (SKS-50T)

SKS-02B Mini Aluminum Adjustable Speaker Stand



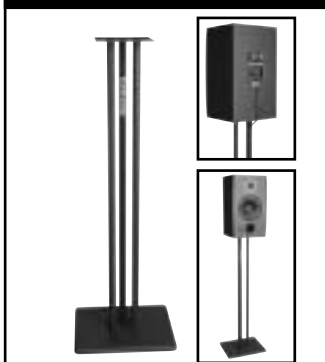
Max. Height (inches / cm)	46 / 116.8
Min. Height (inches / cm)	27 / 68.6
Collapsed Height (inches / cm)	27 / 68.6
Weight (lbs / kg)	4.5 / 2.0
Material (stand / collar)	Aluminium / Nylon
Load Capacity (lbs / kg)	88 / 40
Master Carton (pieces)	9
Colour	Black (SKS-02B)

SKS-09BP1 Speaker Stand Package w/Bag



Max. Height (inches / cm)	77 / 195.6
Min. Height (inches / cm)	44 / 111.8
Collapsed Height (inches / cm)	42 / 106.7
Weight (lbs / kg)	9 / 4.1
Material (stand / collar)	Steel / Nylon
Load Capacity (lbs / kg)	100 / 45.4
Master Carton (pieces)	3
Colour	Black (SKS-09BP1)

SKS-36B Studio Monitor Stand



Height (inches / cm)	36 / 91.4
Collapsed Height (inches / cm)	-
Weight (lbs / kg)	10 / 4.5
Material (base / legs)	Wood / Aluminium
Load Capacity (lbs / kg)	100 / 45.4
Master Carton (pieces)	2
Colour	Black (SKS-36B)
Alternate Colour	-

SKS-500B Deluxe Adjustable Studio Monitor Stand



Max. Height (inches / cm)	57 / 144.8
Min. Height (inches / cm)	37.5 / 97.3
Weight (lbs / kg)	14 / 6.4
Material	Steel
Load Capacity (lbs / kg)	100 / 45.4
Master Carton (pieces)	1
Colour	Black (SKS-500B)
Alternate Colour	-

SKS-12B Heavy Steel Adjustable Studio Monitor Stand



Max. Height (inches / cm)	54.5 / 138.4
Min. Height (inches / cm)	38 / 96.5
Weight (lbs / kg)	19 / 8.6
Material	Steel
Load Capacity (lbs / kg)	176 / 80
Master Carton (pieces)	1
Colour	Black (SKS-12B)
Alternate Colour	-

Speaker / Lighting Hardware & Accessories

SW-TUBE



Non Adjustable Subwoofer/Speaker Pole

Height (inches / cm)	72 / 152.4
Weight (lbs / kg)	2 / 104.1
Material	Aluminium
Load Capacity (lbs / kg)	100 / 45.4
Master Carton (pieces)	15
Colour	Black (SW-TUBE)
Alternate Colour	-

SWTELETUBE1



Adjustable Subwoofer/Speaker Pole

Max. Height (inches / cm)	72 / 182.9
Min. Height (inches / cm)	41 / 104.1
Weight (lbs / kg)	5 / 2.3
Material (tube / collar)	Steel / Nylon
Load Capacity (lbs / kg)	100 / 45.4
Master Carton (pieces)	10
Colour	Black (SWTELETUBE1)

SKS-TBAR1

*Lighting T-Bar



Span (inches / cm)	42 / 106.7
Weight (lbs / kg)	4 / 1.8
Material	Steel
Load Capacity (lbs / kg)	100 / 45.4
Master Carton (pieces)	10
Colour	Black (SKS-TBAR1)
* Without Speaker Mount	



SWTELETUBE1

BAG-101

Speaker Stand Bag



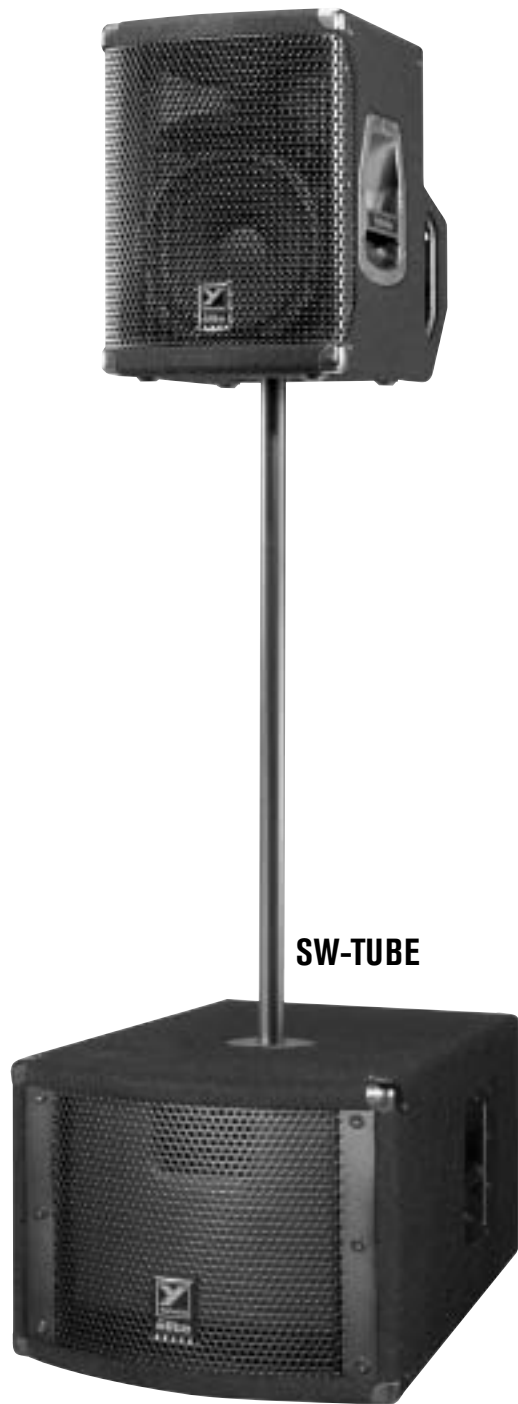
Length (inches / cm)	53 / 134.6
Width (inches / cm)	9 / 22.9
Depth (inches / cm)	6 / 15.2
Material	Nylon
Fits 2 of:	
SKS-21B / SKS-31B / BS50T	

BAG-102

Speaker Stand Bag



Length (inches / cm)	46 / 116.8
Width (inches / cm)	9 / 22.9
Depth (inches / cm)	6 / 15.2
Material	Nylon
Fits 2 of:	
SKS-210B / SKS-09B / SKS-11B	



BS-ADAPT Cabinet Adaptor For Speaker Stands



Weight (lbs / kg)	1 / 0.5
Material	Steel
Colour	Black (BS-ADAPT)
Alternate Colour	-



SKS-ADAPT15

15° Tilt Adaptor For Speaker Stands



Weight (lbs / kg)	0.5 / 0.2
Material	Steel
Colour	Black (SKS-ADAPT15)
Alternate Colour	-

SKS-ADAPT

Exterior Mount Stand Flange With Knob



Weight (lbs / kg)	0.5 / 0.2
Material	Nylon
Colour	Black (SKS-ADAPT)
Alternate Colour	-



Flying Hardware

8467



Internal Brace
3/8" - 16

8724



T-Nut For Pull Back
3/8" - 16

8726



Flat Allen Head Bolt
3/8" - 16 x 1/4"

EYEBOLT1/4A



Forged Shoulder Eyebolt
1/4" - 20 x 1

BAR30



30° Connecting Bar

EYEBOLT3/8A



Forged Shoulder Eyebolt
3/8" - 16 x 1 1/4"

QUICKPIN



Quick Release Pin

SHACKLE1/2



1/2" Forged Shackle

SWIVELRING2



2 Stud Track Fitting
1000 lbs/ 453.6kg Vertical

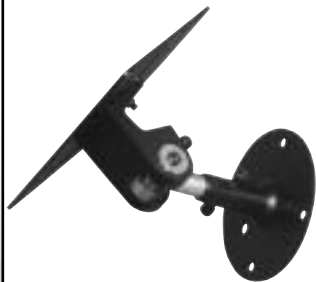


Attached Flyware

Speaker Wall Mount Brackets

SKS-04

Single Speaker Wall Mount Bracket



Extension (inches / cm)	6 / 15.2
Load Capacity (lbs / kg)	100 / 45.4
Weight (lbs / kg)	2.5 / 1.4
Master Carton (pieces)	10
Colour	Black (SKS-04)
Alternate Colour	-

SKS-WALL

Single Speaker Wall Mount Bracket

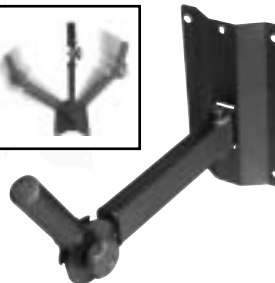


1 3/8" Mount

Extension (inches / cm)	13.5 / 34.3
Load Capacity (lbs / kg)	55 / 24.9
Weight (lbs / kg)	5 / 2.3
Master Carton (pieces)	5
Colour	Black (SKS-WALL)
Alternate Colour	-

SKS-WALL15

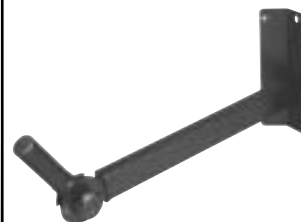
Single Speaker Wall Mount With Adjustable 1 3/8" Mount (15° Tilt)



Extension (inches / cm)	14 / 35.6
Load Capacity (lbs / kg)	55 / 24.9
Weight (lbs / kg)	5 / 2.3
Master Carton (pieces)	5
Colour	Black (SKS-WALL15)
Alternate Colour	-

SKS-WALL15C

Single Speaker Wall (Corner) With Adjustable 1 3/8" Mount (15° Tilt)



Extension (inches / cm)	21 / 53.3
Load Capacity (lbs / kg)	55 / 24.9
Weight (lbs / kg)	5 / 2.3
Master Carton (pieces)	5
Colour	Black (SKS-WALL15C)
Alternate Colour	-

Studio Racks

IRK-12

12 Space Heavy Duty Open Studio Rack



Weight (lbs / kg)	6 / 2.7
Colour	Black
Threads	SAE
Master Carton (pieces)	12

RK-1

Slanted Studio Rack With wheels



Weight (lbs / kg)	18 / 8.2
Colour	Black
Threads	SAE
Master Carton (pieces)	1

RK-2

10 Space Tilt Top Rolling Studio Rack



Weight (lbs / kg)	19 / 8.6
Colour	Black
Threads	SAE
Master Carton (pieces)	2

RK-3

8 Space Open Studio Rack



Weight (lbs / kg)	5.1 / 13
Colour	Black
Threads	SAE
Master Carton (pieces)	12

IKS-24

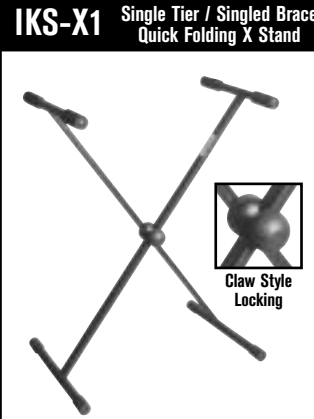
Single Tier Adjustable Keyboard / Mixer Stand



Max. Height (inches / cm)	35 / 88.9
Min. Height (inches / cm)	25 / 63.5
Width (inches / cm)	16.5 / 41.9
Collapsed Height (inches / cm)	25 / 63.5
Weight (lbs / kg)	13 / 5.9
Master Carton (pieces)	1

Keyboard / Mixer Stands & Accessories

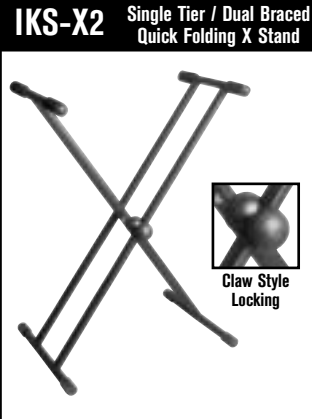
IKS-X1 Single Tier / Singled Brace Quick Folding X Stand



Claw Style Locking

Max. Height (inches / cm)	35 / 88.9
Min. Height (inches / cm)	-
Max. Width (inches / cm)	29 / 73.7
Collapsed Height (inches / cm)	39 / 99.1
Weight (lbs / kg)	5 / 2.3
Master Carton (pieces)	5

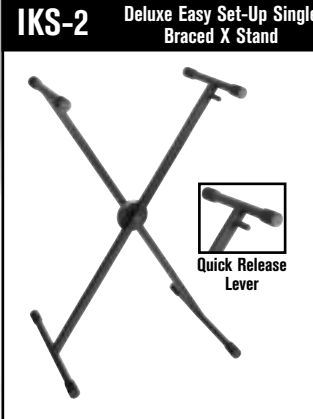
IKS-X2 Single Tier / Dual Braced Quick Folding X Stand



Claw Style Locking

Max. Height (inches / cm)	35 / 88.9
Min. Height (inches / cm)	-
Max. Width (inches / cm)	29 / 73.7
Collapsed Height (inches / cm)	39 / 99.1
Weight (lbs / kg)	9 / 4.1
Master Carton (pieces)	5

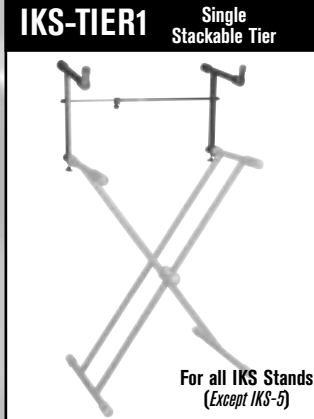
IKS-2 Deluxe Easy Set-Up Single Braced X Stand



Quick Release Lever

Max. Height (inches / cm)	36 / 91.4
Min. Height (inches / cm)	25 / 63.5
Max. Width (inches / cm)	29 / 73.7
Min. Width (inches / cm)	10 / 25.4
Collapsed Height (inches / cm)	40 / 101.6
Weight (lbs / kg)	9 / 4.1
Master Carton (pieces)	4


IKS-TIER1 Single Stackable Tier



For all IKS Stands (Except IKS-5)

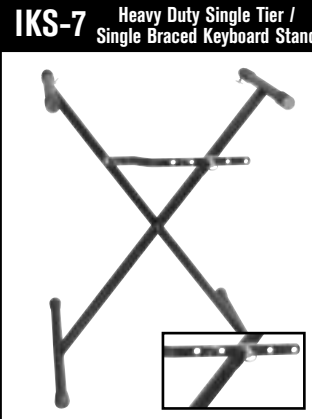
Max. Width (inches / cm)	31 / 78.7
Weight (lbs / kg)	5 / 2.3
Master Carton (pieces)	10

IKS-5 Collapsible Z Style Keyboard Stand




Height (inches / cm)	29 / 73.7
Max. Width (inches / cm)	35 / 88.9
Min. Width (inches / cm)	20 / 50.8
Collapsed Height (inches / cm)	29 / 73.7
Weight (lbs / kg)	9 / 4.1
Master Carton (pieces)	6

IKS-7 Heavy Duty Single Tier / Single Braced Keyboard Stand



Max. Height (inches / cm)	35 / 88.9
Min. Height (inches / cm)	23 / 58.4
Max. Width (inches / cm)	31 / 78.7
Min. Width (inches / cm)	15 / 38.1
Collapsed Height (inches / cm)	28 / 71.7
Weight (lbs / kg)	9 / 4.1
Master Carton (pieces)	5

IKS/TIER7 Optional Second Tier For IKS-7



Max. Width (inches / cm)	31 / 78.7
Weight (lbs / kg)	5 / 2.3
Master Carton (pieces)	5

IKS-8 Deluxe 4-Leg Collapsible Keyboard Stand



Folded

Max. Height (inches / cm)	32.5 / 81.3
Min. Height (inches / cm)	24 / 61.6
Max. Width (inches / cm)	46.4 / 118.8
Min. Width (inches / cm)	29.2 / 74
Collapsed Height (inches / cm)	24 / 61.6
Weight (lbs / kg)	18 / 8.1
Master Carton (pieces)	1

Piano Benches

PB-1 Deluxe Folding Piano Bench



Max. Height (inches / cm)	24 / 61.0
Min. Height (inches / cm)	22 / 55.9
Weight (lbs / kg)	16 / 7.3
Master Carton (pieces)	3

PB-22 Economy Folding Piano Bench



Max. Height (inches / cm)	19 / 48.3
Min. Height (inches / cm)	17 / 43.2
Weight (lbs / kg)	8 / 3.6
Master Carton (pieces)	10

PB-3 Deluxe Home Piano Bench With Storage



Min. Height (inches / cm)	26 / 11.8
Weight (lbs / kg)	26 / 45.7
Master Carton (pieces)	1

PB-4 Deluxe Home Piano Bench With Height Adjustment



Max. Height (inches / cm)	22 / 55.9
Min. Height (inches / cm)	18 / 45.7
Weight (lbs / kg)	19 / 8.6
Master Carton (pieces)	1

Guitar Stands

GS-102

Economy Single
Guitar Stand



Weight (lbs / kg)	2 / 0.9
Master Carton (pieces)	15
Colour	Chrome (GS-102) Black (GS-102B)
Master Carton (pieces)	12
	Blue (GS-102L) Violet (GS-102V)

GS-124

Economy Single Guitar
Stand With Safety Guard



Weight (lbs / kg)	2 / 0.9
Master Carton (pieces)	15
Colour	Chrome (GS-124) Black (GS-124B)

GS-212B

Double Guitar Stand
Hanging Style



Weight (lbs / kg)	3.5 / 1.6
Master Carton (pieces)	12
Colour	Black (GS-212B)

GS-213

Triple Guitar Stand
Hanging Style



Weight (lbs / kg)	4 / 1.8
Master Carton (pieces)	12
Colour	Chrome (GS-213) Black (GS-213B)

GS-216B

Dual Level Triple Guitar
Stand Hanging Style



Weight (lbs / kg)	8.5 / 3.9
Master Carton (pieces)	6
Colour	Black (GS-216B)

GS-2516B

Universal Folding
A-Style Guitar Stand



Weight (lbs / kg)	3 / 1.4
Master Carton (pieces)	10
Colour	Black (GS-2516B)

GS-536B

Deluxe Universal Folding
A-Style Guitar Stand



Weight (lbs / kg)	4 / 1.8
Master Carton (pieces)	6
Colour	Black (GS-536B)

Band Instrument Stands

FL-40 Round Base
Flute / Clarinet Stand



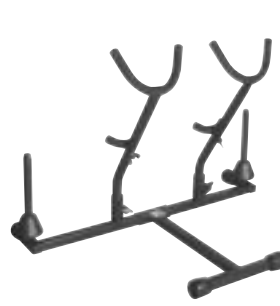
Weight (lbs / kg) 3 / 1.4
Master Carton (pieces) 12

AS-30 Tripod Alto / Tenor Sax
Stand With Flute Peg



Weight (lbs / kg) 2.5 / 1.1
Master Carton (pieces) 20

AS-33 Tripod Double Alto / Tenor Sax
Stand With Two Flute Pegs



Weight (lbs / kg) 4.5 / 2.0
Master Carton (pieces) 10

BS-50 Deluxe Tripod Baritone
Sax Stand



Weight (lbs / kg) 4 / 1.8
Master Carton (pieces) 10

TR-11 Spring Loaded Tripod
Trumpet Stand



Weight (lbs / kg) 2 / 0.9
Master Carton (pieces) 15

SL-22 Spring Loaded Tripod
Trombone Stand



Weight (lbs / kg) 3 / 1.4
Master Carton (pieces) 9

VS-61 Violin Stand With
Bow Hanger



Weight (lbs / kg) 2 / 0.9
Master Carton (pieces) 12



Instrument Amp Stands

IAS-2 Guitar Amp Stand
Fully Adjustable



Weight (lbs / kg) 10 / 4.5
Load Capacity (lbs / kg) 100 / 45.5
Master Carton (pieces) 4

IAS-4 Guitar Amp Stand
Fixed Angle



Weight (lbs / kg) 10 / 4.5
Load Capacity (lbs / kg) 100 / 45.5
Master Carton (pieces) 4

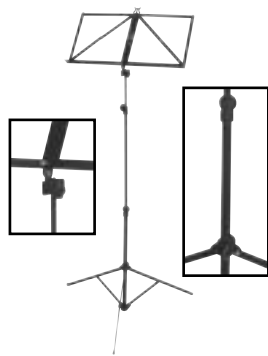
Music Stands

BS-103N Light Duty Nickel Plated Folding Music Stand



Max. Height (inches / cm)	52 / 132.1
Min. Height (inches / cm)	35 / 88.9
Collapsed Height (inches / cm)	22 / 55.9
Weight (lbs / kg)	2.5 / 1.1
Master Carton (pieces)	12
Colour	Nickel (BS-103N) Black (BS-103B)

BS-106B Medium Duty Telescopic Folding Music Stand



Max. Height (inches / cm)	53 / 134.6
Min. Height (inches / cm)	31 / 78.7
Collapsed Height (inches / cm)	15 / 38.1
Weight (lbs / kg)	2 / 0.9
Master Carton (pieces)	12
Colour	Black (BS-106B)

BS-110B Medium Duty Telescopic Folding Music Stand



Max. Height (inches / cm)	56 / 142.2
Min. Height (inches / cm)	31 / 78.7
Collapsed Height (inches / cm)	30 / 76.2
Weight (lbs / kg)	1.5 / 0.7
Master Carton (pieces)	12
Colour	Black (BS-110B)

BS-308 Large Book Size Deluxe Adjustable Music Stand



Max. Height (inches / cm)	57 / 144.8
Min. Height (inches / cm)	36 / 91.4
Collapsed Height (inches / cm)	36 / 91.4
Weight (lbs / kg)	8 / 3.6
Master Carton (pieces)	5
Colour	Black (BS-308)

BS-310 Large Book Size Deluxe Adjustable Music Stand



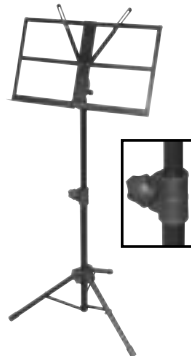
Max. Height (inches / cm)	57 / 144.8
Min. Height (inches / cm)	36 / 91.4
Collapsed Height (inches / cm)	36 / 91.4
Weight (lbs / kg)	8 / 3.6
Master Carton (pieces)	5
Colour	Black (BS-310)

BS-311 Extra Wide Fold Out Deluxe Adjustable Music Stand



Max. Height (inches / cm)	48 / 121.9
Min. Height (inches / cm)	37 / 93.9
Collapsed Height (inches / cm)	37 / 93.9
Weight (lbs / kg)	10 / 4.5
Master Carton (pieces)	5
Colour	Black (BS-311)

BS-321 Large Book Size Deluxe Collapsible Music Stand



Max. Height (inches / cm)	46.5 / 118.1
Min. Height (inches / cm)	26 / 66
Collapsed Height (inches / cm)	28 / 71.1
Weight (lbs / kg)	6.5 / 3.0
Master Carton (pieces)	6
Colour	Black (BS-321)

BS-410 Cast Tripod Quick Setup Music Stand



Max. Height (inches / cm)	56 / 142.2
Min. Height (inches / cm)	36 / 91.4
Collapsed Height (inches / cm)	36 / 91.4
Weight (lbs / kg)	12 / 5.4
Master Carton (pieces)	4
Colour	Black (BS-410)

BS-710 Cast Tripod Pneumatic Clutch Music Stand



Max. Height (inches / cm)	61 / 154.9
Min. Height (inches / cm)	39 / 99.1
Collapsed Height (inches / cm)	39 / 99.1
Weight (lbs / kg)	10 / 4.5
Master Carton (pieces)	4
Colour	Black (BS-710)

Guitar Hangers - Slatwall

GH-03BSW Guitar Slatwall Hanger Centre Mount



Extention (inches / cm) 6.75 / 17.1
Colour Black

GH-04BSW Guitar Slatwall Hanger Right Mount



Extention (inches / cm) 12 / 30.5
Colour Black

GH-05BSW Guitar Slatwall Hanger Left Mount



Extention (inches / cm) 12 / 30.5
Colour Black

Guitar Hangers

GH-07B Guitar Wall Hanger with Wood Block



Extention (inches / cm) 3 / 7.6
Colour GH-07B Black
GH-07 Natural

Guitar Hangers

GH-08B Guitar Wall Hanger with Picture Frame



Extention (inches / cm) 2.5 / 6.4
Colour Black

Picture Frame 5x7

Hangers

CH-2SW Double Cable Hook For Slatwall



Extention (inches / cm) 8 / 20.3
Colour Black

DSP-08 Display Stand Peg



Extention (inches / cm) 4.5 / 11.4
Colour Black

MH-01SW Microphone Slatwall Hanger



Extention (inches / cm) 4.5 / 11.4
Colour Black

MH-06 Apex 5 Microphone Counter Display



Threaded Microphone Mounts Included

Colour Black

MH-06SW Apex 5 Microphone Slatwall Display



Threaded Microphone Mounts Included

Colour Black



APEX ELECTRONICS

550 Granite Court,
Pickering, Ontario L1W 3Y8
Phone (905) 837-8481
Fax (905) 839-5776
Email: info@apexelectronics.com

APEX ELECTRONICS

4625 Witmer Industrial Estate,
Niagara Falls, New York 14305
Phone (716) 297-2920
Fax (716) 297-3689
Email: info@apexelectronics.com